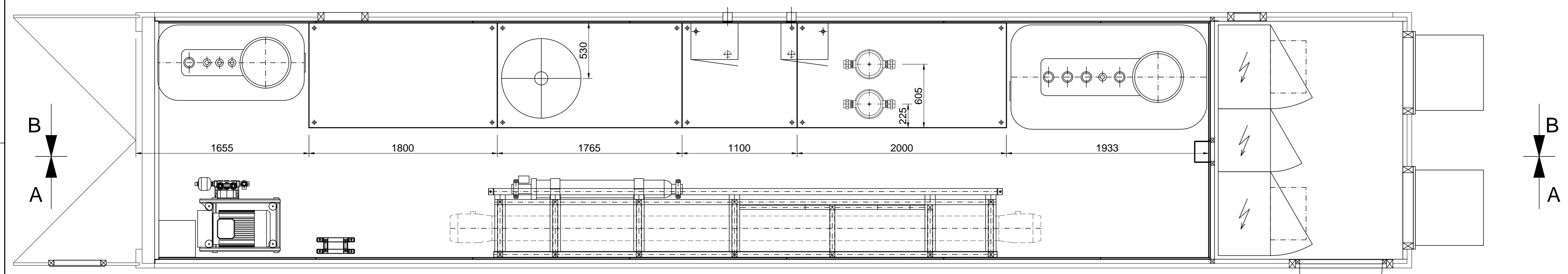
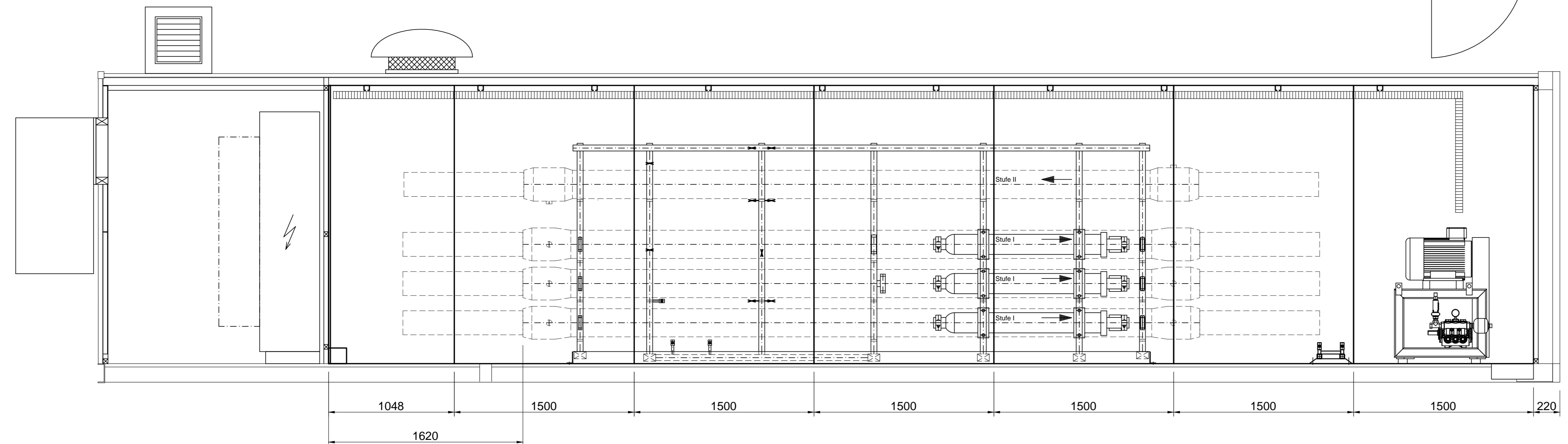


top view
Vedere de sus



section B-B
Sectiunea B - B



| | | | |
|--|---|--|------------|
| FICHTNER | | skoy <small>subcontractor</small> | |
| Checked | Resident engineer | Name | Date |
| | Designer expert | Harniu Heta | |
| Joint Venture Teleorman | | gelger ECOSOIL | |
| Client | Ministry of Public Finance - CFCU - ROMANIA | | |
| Beneficiary | TELEORMAN COUNTY | | |
| Donor Agency | ISPA Measure - European Commission | | |
| Project No. | 2007/05/01 | | |
| Drawing | WASTE WATER TREATMENT PLANT - HYDRAULICAL INSTALLATIONS | | |
| Date: | 2007.05.01 | Scale: | 1:200 |
| Number drawing -01/03/07/07/05/01 | | | |
| General designer : S.C. FINARA CONSULT Dr. ing. Vasile Mieghe | | | |
| Speciality designer: S.C. HIDROEDIL S.A. Iasi | | Integrated Waste Management System in Teleorman County Managementul Deșeurilor menajere din Județul Teleorman | |
| Designed/Desenat | ing. Todinei Andrei | Scale | 1:200 |
| Drawn/Desenat | ing. Todinei Andrei | Date | 2007.05.01 |
| Checked/Verificat | ing. Vasile Mieghe | WASTE WATER TREATMENT PLANT - HYDRAULICAL INSTALLATIONS Staia de epurare ape uzate - Instalatiile hidraulice | |